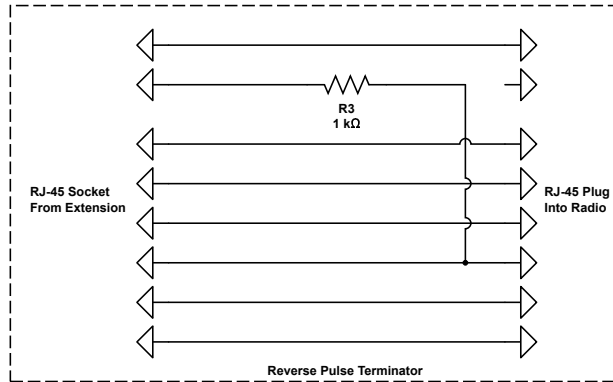


Circuit to remove Woodpecker sound from Kenwood TM-V71 Radios with home made microphone extension cords.

By Bill Buhler
AF7SJ

Copyright © 2020 All Rights Reserved.

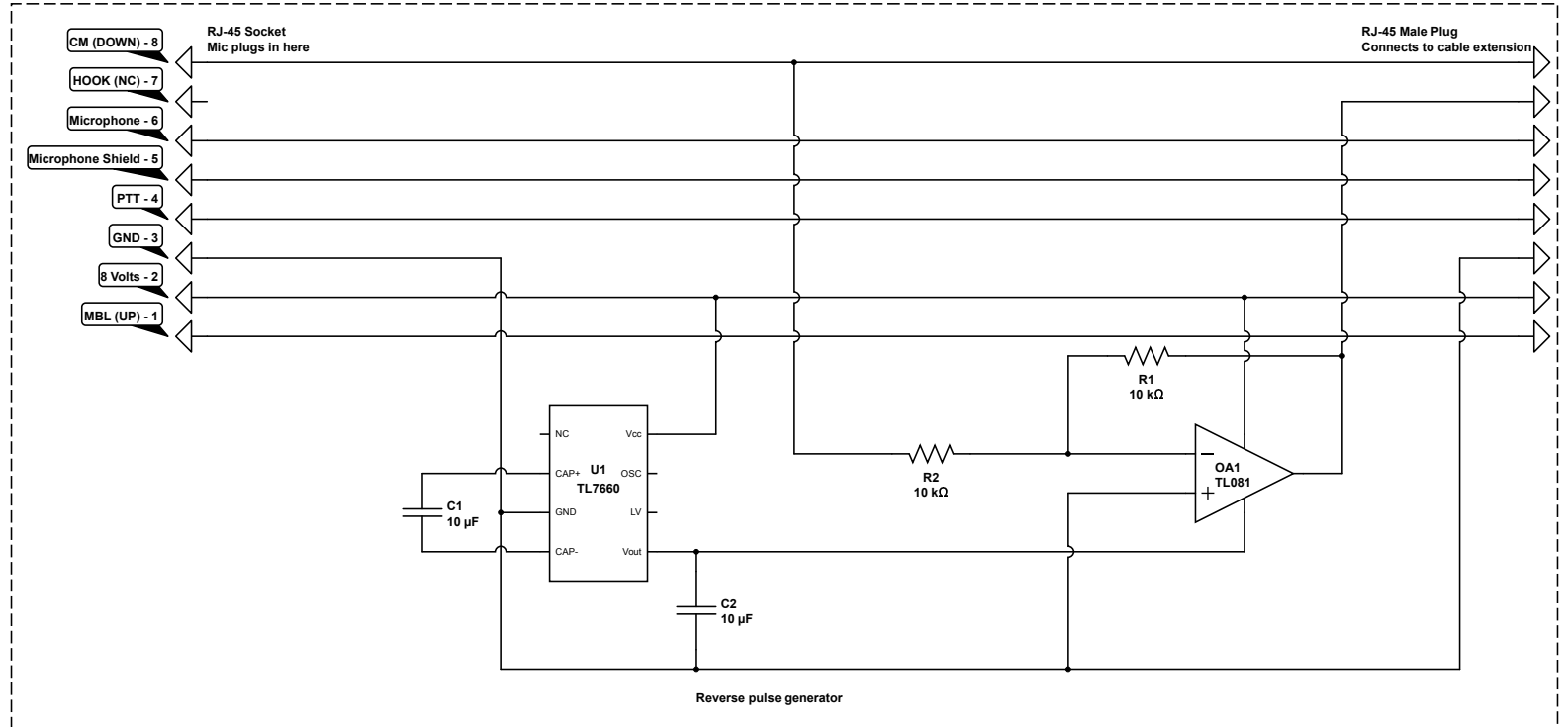


Standard CAT5 Cable Pinout Colors vs Stock Colors

- 1 - White Orange -- Green -- Up Button
- 2 - Orange -- Red -- 8 Volts
- 3 - White Green -- Black -- Ground
- 4 - Blue -- Blue -- PTT
- 5 - White Blue -- Shield -- Mic Shield
- 6 - Green -- White -- Mic
- 7 - White Brown -- Gray -- Hook
- 8 - Brown -- Yellow -- CM (Down)

Better Sound Quality with this Pinout Color Pattern with CAT5 Cable (make sure both ends match).

- 1 - White Orange -- Green -- Up Button
- 2 - Orange -- Red -- 8 Volts
- 3 - White Green -- Black -- Ground
- 4 - Green -- Blue -- PTT
- 5 - White Blue -- Shield -- Mic Shield
- 6 - Blue -- White -- Mic
- 7 - White Brown -- Gray -- Hook
- 8 - Brown -- Yellow -- CM (Down)



Copyright © 2020, Bill Buhler - AF7SJ, All Rights Reserved.